

MikroPoynt RB411AH (B+G)



Kode : MP411AH-24
Kategori : Discontinued
Harga : Rp 2.245.000,00

--Discontinued-- RouterBoard 411AH (Lisensi Level 4CF-AP, CPU Atheros AR7161 680MHz) dengan Wireless MiniPCI yang dipadukan dengan embedded antenna MikroPoynt 2,4 GHz 11dbi, menghasilkan unit wireless yang ringkas. Sudah termasuk adaptor 24V dan PoE.



Aplikasi Penggunaan:

- Indoor Access Point/Hotspot
- Outdoor (short range) CPE

Spesifikasi RB411AH

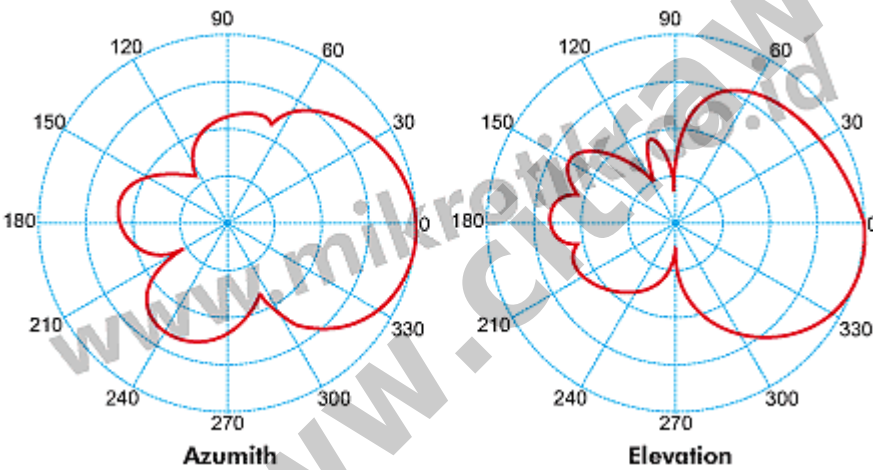
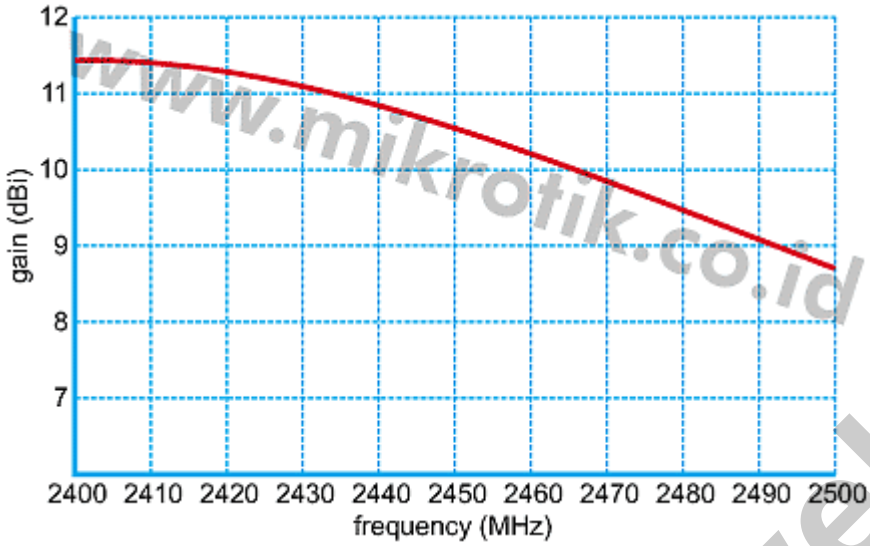
Product Code	RB411AH
Architecture	MIPS-BE
CPU	AR7161 680MHz
Current Monitor	No
Main Storage/NAND	64MB
RAM	64MB
SFP Ports	0
LAN Ports	1
Gigabit	No
Switch Chip	No

MiniPCI	1
Integrated Wireless	No
MiniPCle	0
SIM Card Slots	No
USB	No
Memory Cards	No
Power Jack	10-28V
802.3af Support	No
POE Input	10-28V
POE Output	No
Serial Port	DB9/RS232
Voltage Monitor	No
Temperature Sensor	No
Dimensions	105mm x 105mm
Operating System	RouterOS
Temperature Range	-30C .. +60C
RouterOS License	Level4


Spesifikasi MikroPoynt 2,4GHz :

- **Frequency:** 2.4 - 2.5 GHz
- **Gain:** 11.6 dBi
- **Gain (Min over the band):** 8.5 dBi
- **VSWR:** < 2.5:1
- **Feed Power Handling:** 10 W
- **E-Plane 3 dB Beamwidth:** 44 degrees
- **H-Plane 3 dB Beamwidth:** 54 degrees
- **Front to Back (F/B Ratio):** 14 dB
- **Nominal input impedance:** 50 ohm
- **Polarisation:** Vertical
- **Connector Type:** U.fl
- **Dimensions (l x w x d):** 234 x 134 x 105 mm
- **Mounting:** Wall, window or pole
- **Materials:** ABS
- **Wind Loading:** 120 km/h
- **Temperature Range:** -20 to 70 degrees celcius

- **Water Ingress:** Rating IP67
- **Rain Rating (mm/hr):** 100 mm/hr
- **RoHS:** Yes



* Harga, spesifikasi, dan ketersediaan bisa berubah dan tidak mengikat

URL : <https://www.citraweb.com/produk/157/>

Informasi lebih lanjut, pemesanan dan pembelian, hubungi: 0274-554444 atau email sales@citraweb.com