

# TwistPort™ Adaptors Shielded TP-ADAPTOR-RB-S



**Kode** : TP-ADAPTOR-RB-S

**Kategori** : RF elements


**Harga** : Rp 270.000,00

Rp 575.000,00

TwistPort Adaptors make most popular connectorized radios and MikroTik RouterBoards compatible with TwistPort antennas. Integration into TwistPort eco-system ensures the benefits of low loss, high scalability, easy co-location, simple deployment and easy maintenance.

**Paket ini hanya BOX Enclosure only, Tidak termasuk Routerboard dan Antenna**

Penawaran Harga Spesial

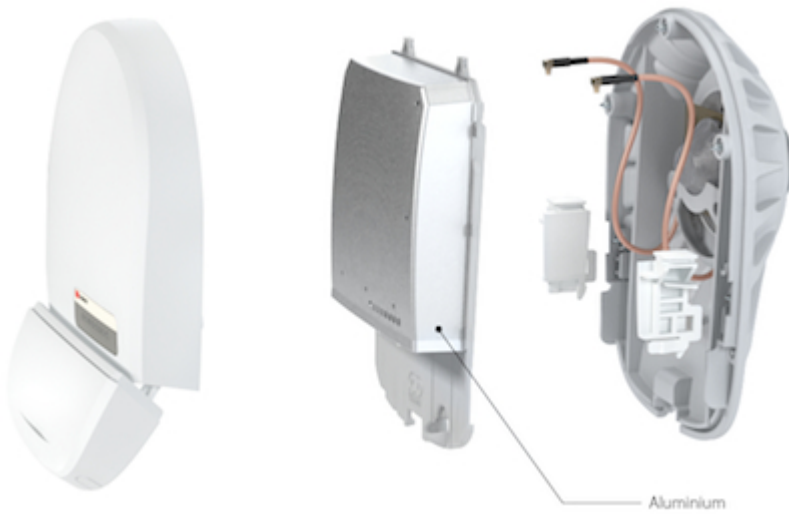
 08112039555

## TwistPort™ Adaptors TP-ADAPTOR-RB-S

The TwistPort Adaptor for RouterBoards makes RouterBoard™ 9 series, 7 series and 4 series compatible with all TwistPort™ Antennas. TwistPort™ Adaptors are equipped with our original quick locking waveguide port. Installing compatible RouterBoards in our TwistPort™ Adaptor is very simple and requires no tools.



[www.citraweb.com](http://www.citraweb.com)



#### COMPATIBLE WIRELESS PLATFORMS

RF elements® : any Symmetrical Horn TP Antenna, any UltraDish™ TP Antenna

MikroTik™ : RouterBoard™ RB91x, RB71x, RB411L

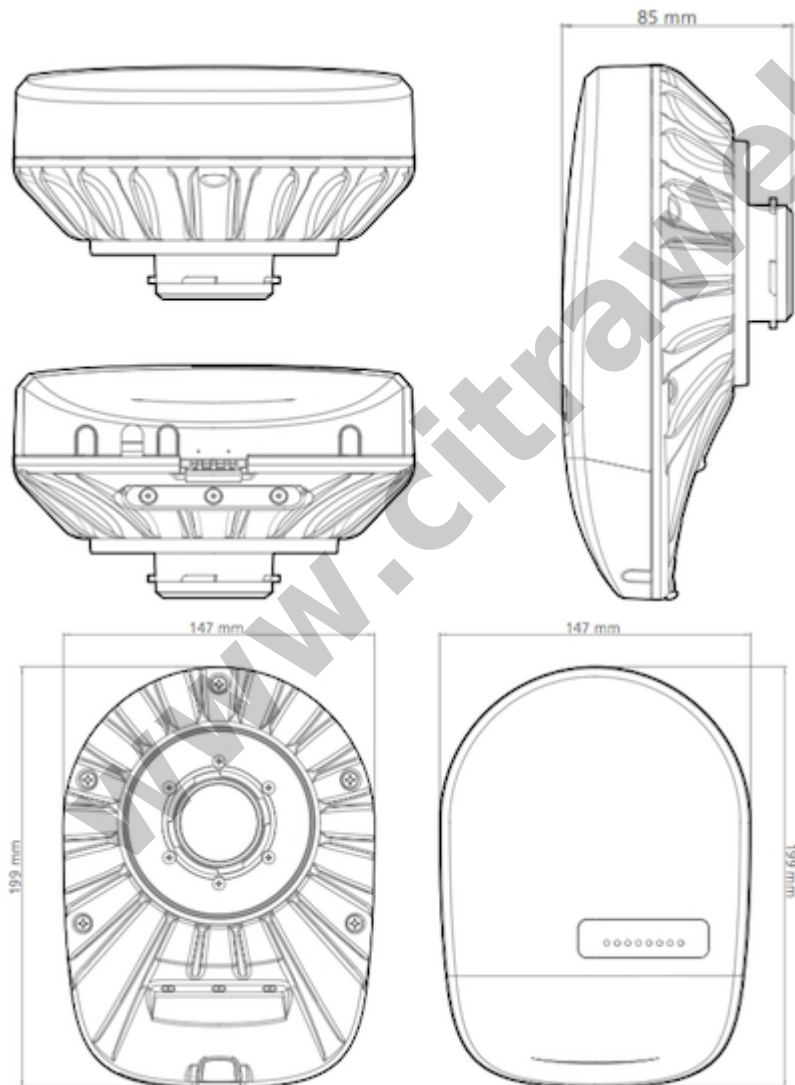


#### Content :

- TwistPort™ Adaptor RB Body
- TwistPort™ Adaptor RB Sticker A
- TwistPort™ Adaptor RB Sticker B
- Screw 2,9 x 6,5 mm (4 pcs)

**TECHNICAL DATA**

Antenna Connection : TwistPort™ - Quick Locking Waveguide Port  
Radio Connection : 2x Right Angle MMCX (Pigtail included)  
Materials : Insert - Aluminium Alloy  
Body - UV stabilized and weather resistant ABS plastic  
Flame Rating : UL 94 HB  
Temperature : -40°C to +60°C (-40°F to +140°F)  
Wind Survival : 160 km/hour  
Weight : 0.6 Kg / 1.3 lbs - single unit incl. package  
Single Unit Retail Box : Retail Box: 21.3 × 15.3 × 9 cm



\* Harga, spesifikasi, dan ketersediaan bisa berubah dan tidak mengikat

**URL :** <https://www.citraweb.com/produk/522/>

**Informasi lebih lanjut, pemesanan dan pembelian, hubungi: 0274-554444 atau email [sales@citraweb.com](mailto:sales@citraweb.com)**

[www.citraweb.com](http://www.citraweb.com)