

StationBox® ALU Carrier Class 10N3E



Kode : StationBox-ALU-CC-10N3E

Kategori : RF elements

Harga : Rp 445.000,00
Rp 800.000,00

StationBox® ALU Carrier Class 10N3E is IP65 rated outdoor enclosure for wireless platforms and access points.

Paket ini hanya Box only, Tidak termasuk Routerboard, Pigtaills dan Antenna.

Tidak bisa digunakan untuk RB800.

Penawaran Harga Spesial

 08112039555

StationBox® ALU Carrier Class 10N3E



Casted aluminium construction is covered with UV resistant paint and offers excellent weather resistance and improved RF noise protection.



Corrosion resistance is enhanced by using only high grade materials. Enclosure is made of casted aluminium and covered with UV resistant paint. All hardware is made of Stainless Steel. Body screws are captive, they do not fall out when released.



Inner mounting plate is made of ABS and has premolded holes for installation of most used wireless platforms as MikroTik, Other devices of choice can be installed as well.

Compatible Wireless Platforms :

MikroTik RouterBoard : RB912, RB911, RB711, RB435, RB433, RB411

Ubiquiti Networks : RouterStation, RouterStation Pro

PC Engines : Alix2, Alix3, Alix6

Redwave : RW2458N

Other Manufacturers* : Simply drill the holes into plastic board and use suitable plastic spacers (sold separately)

PACKAGE CONTENTS :

StationBox® ALU CARRIER CLASS

Mounting Bracket

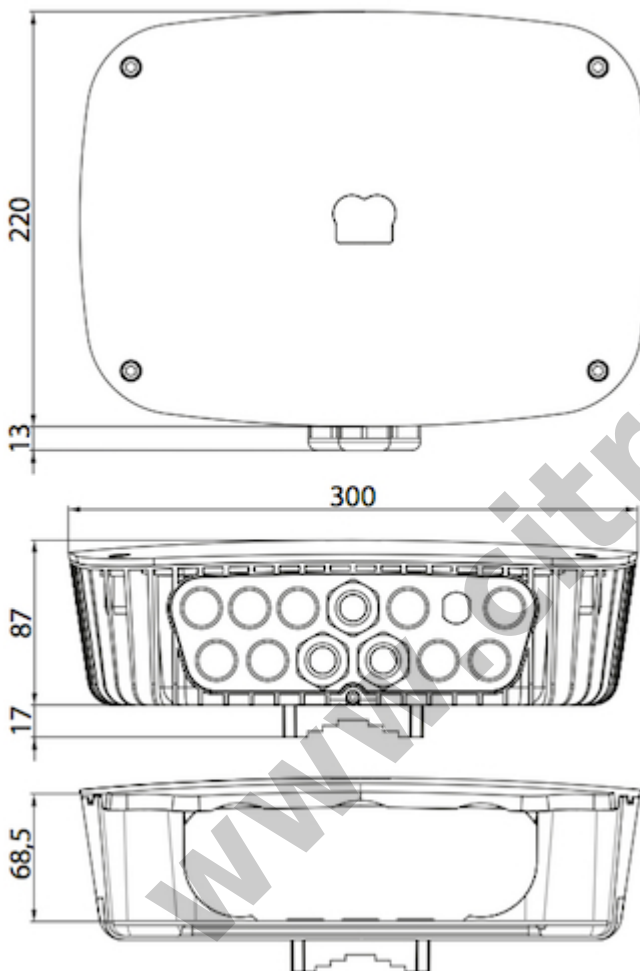
Base Plate

Allen Key 3-5mm

2x Hose Clamp

4x Screw with Wall Plug

Set of Screws



* Harga, spesifikasi, dan ketersediaan bisa berubah dan tidak mengikat

URL : <https://www.citraweb.com/produk/561/>

Informasi lebih lanjut, pemesanan dan pembelian, hubungi: 0274-554444 atau email sales@citraweb.com