

StarterAdapter SMA RF ELEMENTS



Kode : STA-SMA

Brand : RF elements

Jenis : Wireless Antenna

Harga : Rp 190.000,00

Rp-350.000,00

StarterAdapter™ SMA - Allows connection of any radio with SMA-RP connectors to any StarterDish™ antenna.

Penawaran Harga Spesial

08112039555

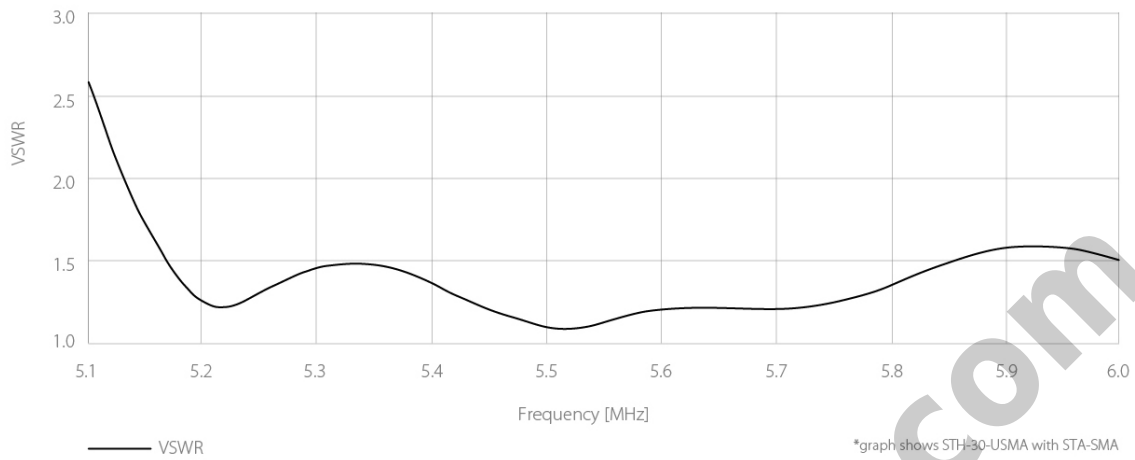
RP-SMA Coaxial Interface For StarterDish™ Antennas

StarterAdapter™ SMA connects to StarterDish™ antennas and provides female RP-SMA connectors - standard coaxial interface for any 3rd party radios. STA-SMA has dual linear H+V polarization.



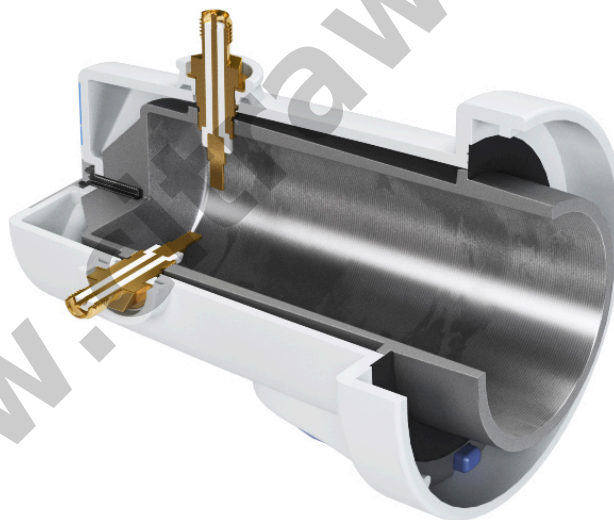
Performance

STA-SMA covers a wide spectrum of 5150 - 5950 MHz with VSWR well below 1.8 throughout the whole bandwidth.



Minimized Loss

STA-SMA is a waveguide-based adapter. Since waveguide has near-zero loss, the adapter introduces practically zero attenuation in the waveguide part. The transition from coaxial connectors to waveguide feeder is optimized for minimum loss as well.

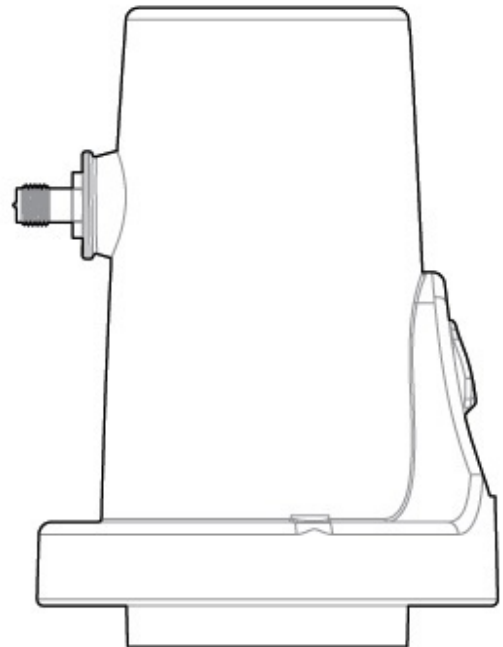
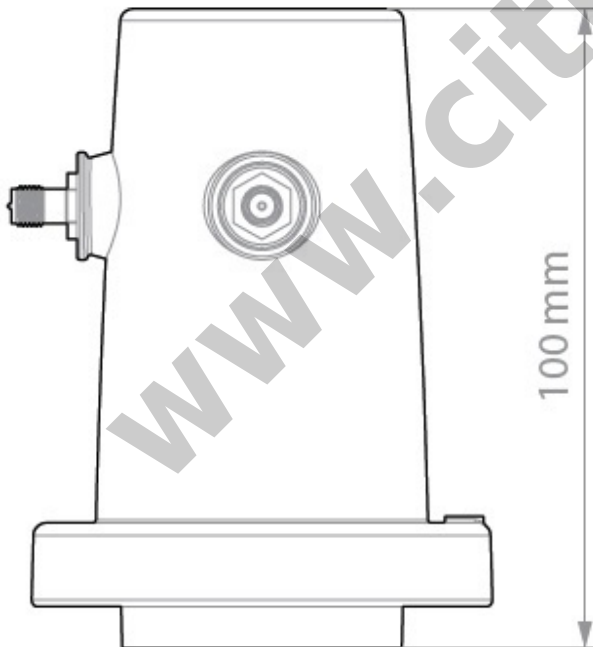
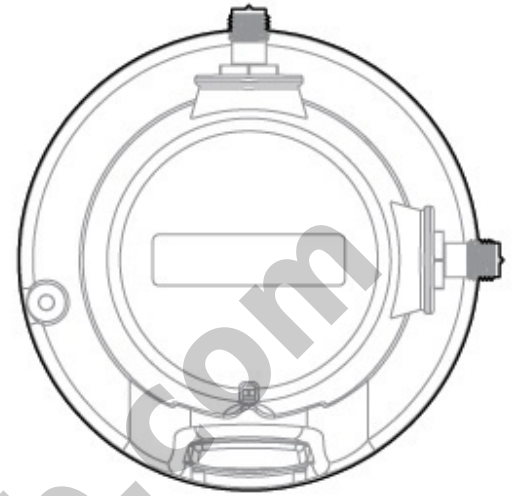
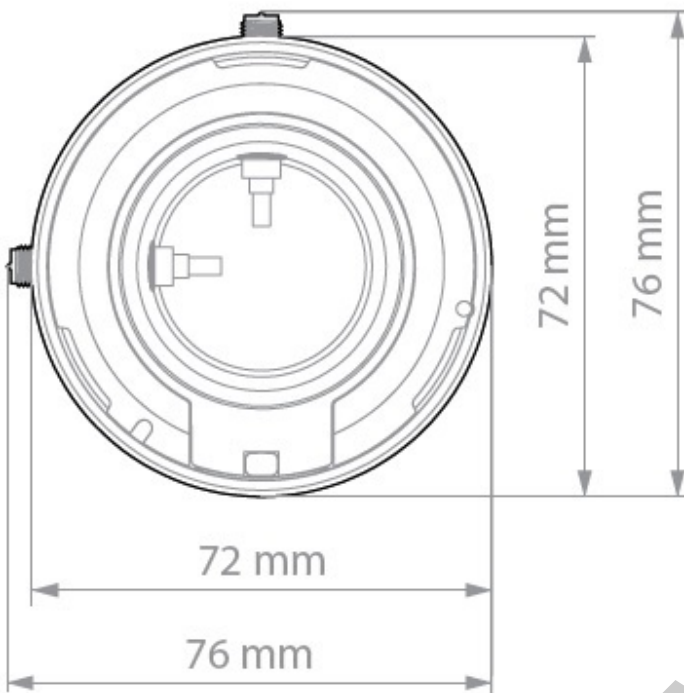


Specifications :

Antenna Connection	Waveguide Port
Radio Connection	2x RP-SMA female
Materials	Insert - Aluminium Alloy
	Adapter - UV stabilized and weather resistant ABS plastic
Flame Rating	UL 94 HB
Temperature	-40°C to +60°C (-40°F to +140°F)

Wind Survival	160 km/h
Weight	0.12 kg / 0.26 lbs – single unit
	0.16 kg / 0.35 lbs – single unit incl. package
	17.0 kg / 37.4 lbs – carton (100 units)
Single Unit	Retail Box: 120 × 75 × 75 mm
Frequency Range	5150 - 5950 MHz
Polarization	Dual Linear H + V
VSWR Max	1.8
Impedance	50 Ohm
COMPATIBLE WIRELESS PLATFORMS	
RF elements®	any StarterDish™ Antennas

www.citraweb.com



[Download DataSheet](#)

[Download UserGuide](#)

** Harga, spesifikasi, dan ketersediaan bisa berubah dan tidak mengikat*

URL : <https://www.citraweb.com/produk/879/>

Informasi lebih lanjut, pemesanan dan pembelian, hubungi: 0274-554444 atau email sales@citraweb.com

www.citraweb.com