

TwistPort Adaptor for ePMP 1000 AP and CSM



Kode : TPA-ePMP
Kategori : RF elements
Harga : Rp 275.000,00
Rp 455.000,00

TwistPort™ Adaptor for ePMP™ is compatible with Cambium Networks™ ePMP™ 1000 AP / CSM, ePMP™ Force 300 CSM and ePMP™ 3000L AP. TwistPort™ Adaptors cover an ultra-wideband spectrum of 5180-6400 MHz and perform with superb efficiency and great VSWR.

Penawaran Harga Spesial
 08112039555

What is TwistPort™ Adaptor

TwistPort Adaptor converts 3rd party radio coaxial interface into RF elements® proprietary TwistPort™ waveguide connector. Integration of the radio is smooth and requires no tools. Making 3rd party radios compatible with TwistPort™ enables using the radio with any TwistPort™ antenna ever made with superior performance, noise immunity and network scalability.

Designed For ePMPTM

TwistPort™ Adaptor for ePMPTM is compatible with Cambium Networks™ ePMPTM 1000 AP / CSM, ePMPTM Force 300 CSM and ePMPTM 3000L AP.



Cambium Networks™
ePMP™ 1000AP and CSM



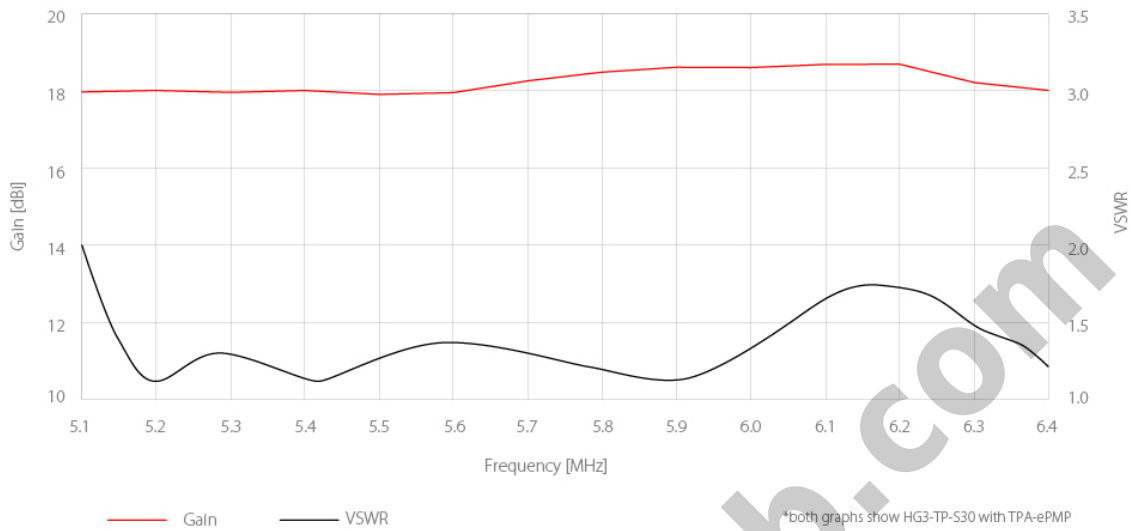
Cambium Networks™
ePMP™ Force 300 CSM



Cambium Networks™
ePMP™ 3000L AP

Market Leading Performance

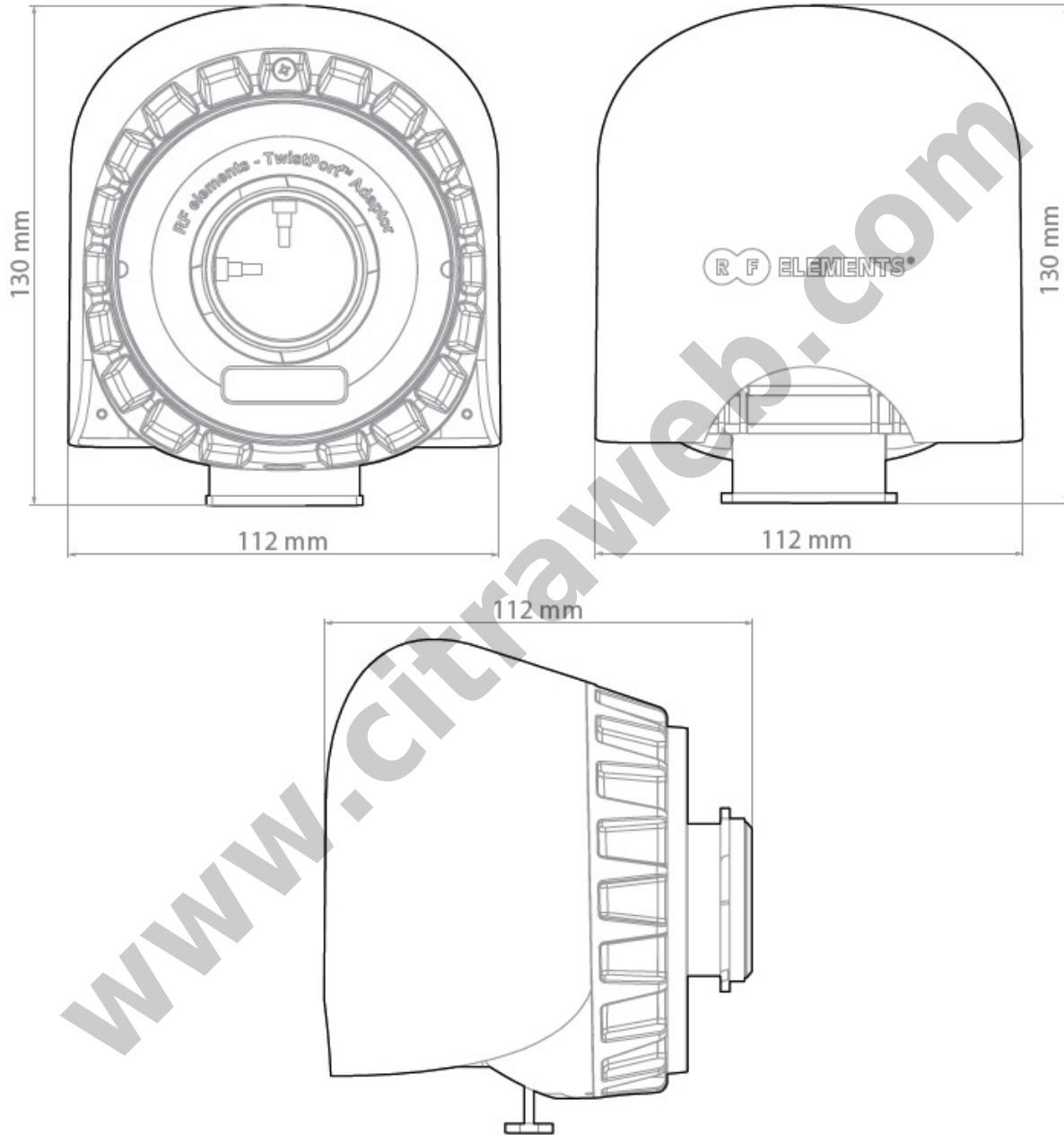
TwistPort™ Adaptors cover an ultra-wideband spectrum of 5180-6400 MHz and perform with superb efficiency and great VSWR.



Specifications :

Antenna Connection	TwistPort™ - Quick Locking Waveguide Port
Radio Connection	2x Slide-On RP-SMA
Materials	Insert - Aluminium Alloy
	Adaptor - UV stabilized and weather resistant ABS plastic
Flame Rating	UL 94 HB
Temperature	-40°C to +60°C (-40°F to +140°F)
Wind Survival	160 km/h
Weight	0.4 Kg / 0.9 lbs - single unit
	0.5 Kg / 1.1 lbs - single unit incl. package
	11.2 Kg / 24.7 lbs - carton (20 units)
Single Unit	Retail Box: 13 × 12 × 13.5 cm
Frequency Range	5180 - 6400 MHz
Polarization	Dual Linear H + V
VSWR Max	1.8
Impedance	50 Ohm
COMPATIBLE WIRELESS PLATFORMS	
RF elements®	any TwistPort™ Antenna
Cambium Networks™	ePMP™ 1000 AP, ePMP™ 1000 CSM, ePMP™ 3000L AP,

ePMP™ Force 300 CSM



[Download DataSheet](#)

[Download UserGuide](#)

** Harga, spesifikasi, dan ketersediaan bisa berubah dan tidak mengikat*

URL : <https://www.citraweb.com/produk/882/>

Informasi lebih lanjut, pemesanan dan pembelian, hubungi: 0274-554444 atau email sales@citraweb.com