

UltraDish TP Antennas 27dBi 2Pack



Kode : UD-TP-27-2PACK

Kategori : RF elements

Harga : Rp 5.000.000,00

Rp 5.755.000,00

UltraDish™ TP Antennas are parabolic dish antennas with a wide gain range and lossless TwistPort™ connector. The UltraDish TP Antennas have high directivity and suppressed side lobes for the ultimate performance.

*tidak termasuk TwistPort Adaptors

High Gain Directional Antennas

UltraDish™ TP Antennas are parabolic dish antennas with a wide gain range and lossless TwistPort™ connector. The UltraDish TP Antennas have high directivity and suppressed side lobes for the ultimate performance.

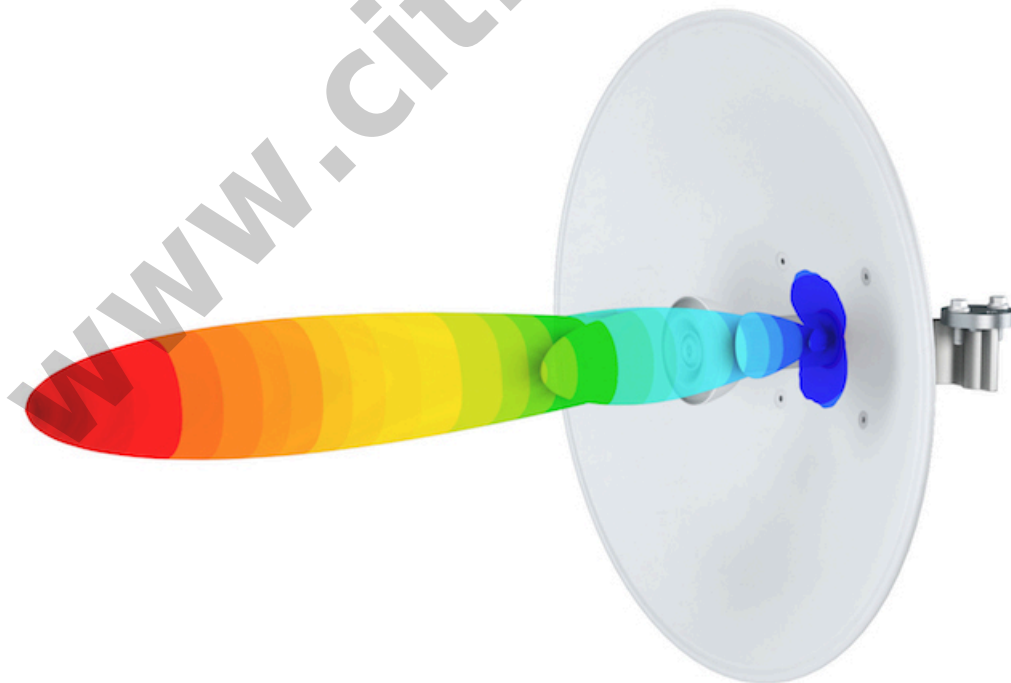


www.citraweb.com

www.citraweb.com

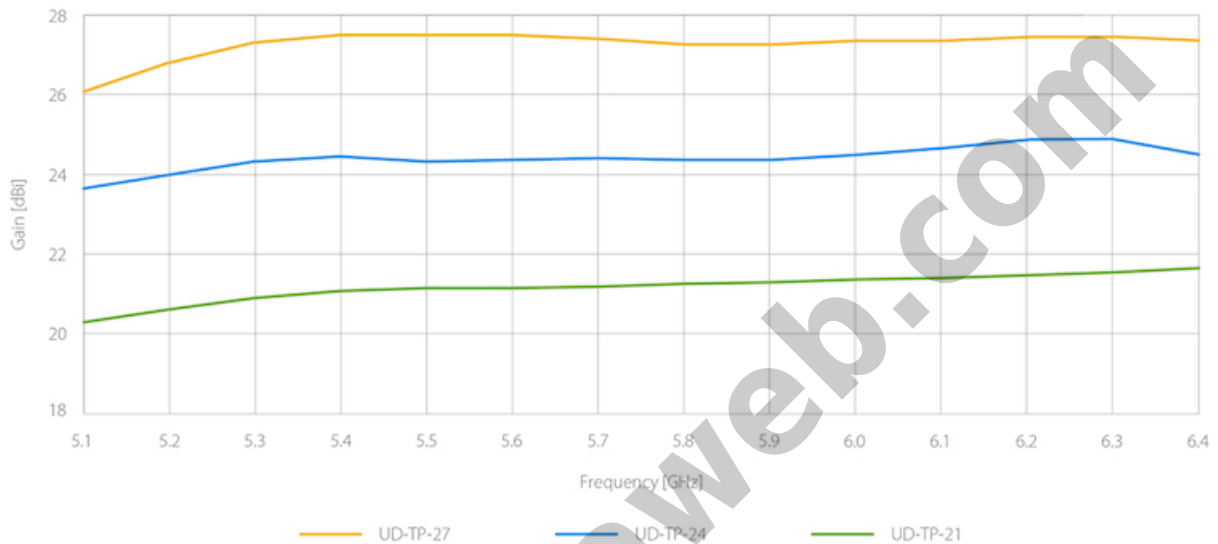
Beam Performance

The radiation pattern of UltraDish™ TP Antennas with suppressed side lobes minimizes the collected and transmitted interference in high-noise areas. The flexible gain of UltraDish™ TP Antennas is achieved by adjusting the size of the main reflector size that focuses the signal fed via the TwistPort™ connector.



Wideband 5.1 - 6.4 GHz

Stable antenna gain is important for reliable link performance. The gain of all three UltraDish™ TP Antennas is stable in the whole useful bandwidth - from 5.1 up to 6.4 GHz, letting you leverage the whole spectrum between UNII-1 and UNII-5 bands with stable performance regardless of the channel used.



TwistPort™ Connector

TwistPort™ is our patent-pending quick-locking waveguide connector with practically zero loss. It connects our antennas to an RF radio and embodies the new standard for scalable, high-performance, and easy-to-use wireless equipment.

Easy Connection

TwistPort™ operation is extremely easy. The mounting and RF connection of the radio is combined into a single, elegant, and highly functional "twist and lock" design. A single-handed radio installation is now a real option!

Lossless

TwistPort™ connector is practically lossless. With no coaxial connectors or cables, there is no loss introduced during the delivery of the signal from the radio to an antenna. The ultra-low loss of waveguide makes TwistPort™ losses practically unmeasurable.

Cross-Platform Compatibility

UltraDish™ TP Antennas can be used with any radio with a TwistPort™ interface and a variety of third-party radios connected through a TwistPort™ Adaptor.

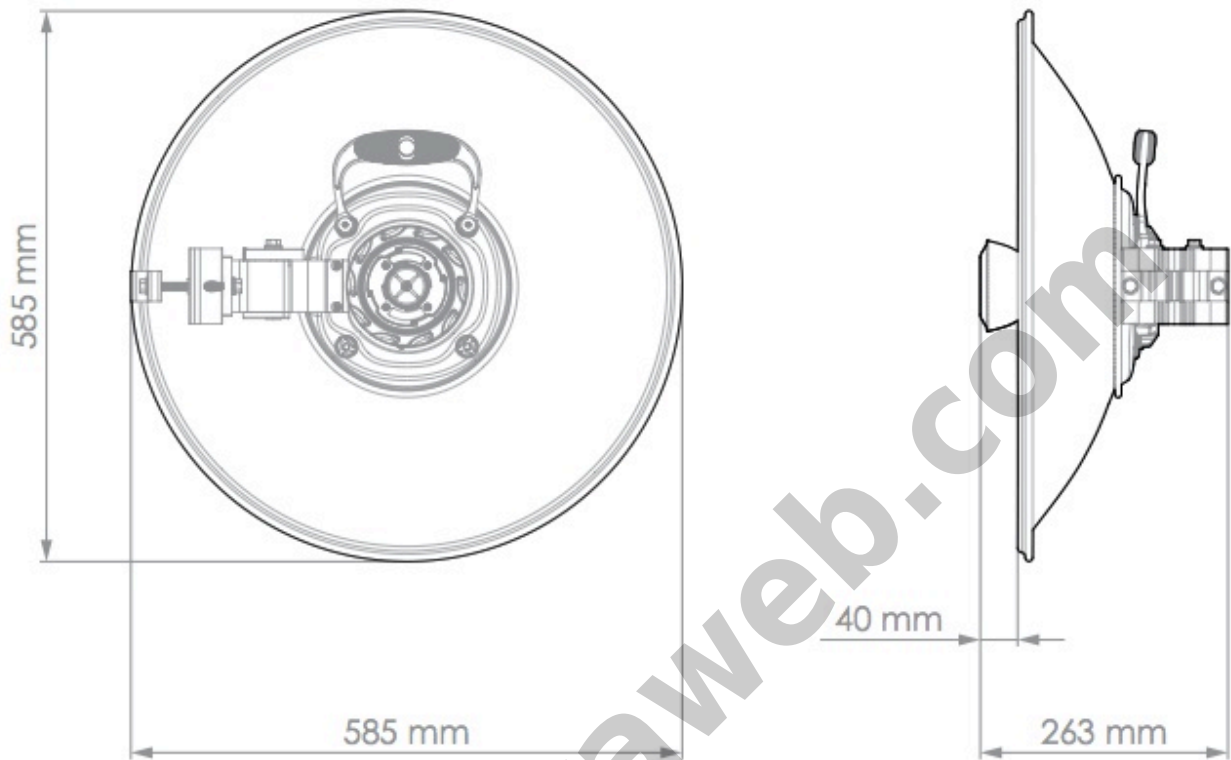
Innovative Mount

UltraDish™ TP Antennas feature an innovative mounting system design optimized for simplicity and durability. The installation and aiming adjustment is quick, easy, and can be done within minutes.

Specifications :

Antenna Connection	TwistPort™ - Quick Locking Waveguide Port
Antenna Type	Parabolic Dish
Materials	UV Resistant ABS Plastic, Polycarbonate, Aluminium, Stainless Steel
Enviromental	IP65
Pole Mounting Diameter	40-80 mm (recommend as close to 80 mm as possible)
Temperature	-40 °C to + 60 °C (-40 °F to + 140 °F)
Wind Survival	160 km/hour

Wind Loading	314 N at 160 km/hour
Weight	3.7 kg / 8 lbs - single unit (one antenna)
	10.6 kg / 23.1 lbs - 2PACK (2 units) incl. package
Dimensions	Retail Box 5PACK: 630 x 620 x 165 mm
Gain	27.5 dBi
Frequency Range	5180 - 6400 MHz
Azimuth Beam Width -6 dB	H 10° / V 9°
Elevation Beam Width -6 dB	H 9° / V 10°
Azimuth Beam Width -3 dB	H 7° / V 6°
Elevation Beam Width -3 dB	H 6° / V 7°
Beam Efficiency*	61 %
Front-to-Back Ratio (Min)	37 dB
COMPATIBLE WIRELESS PLATFORMS	
RF elements®	any TwistPort Adaptor



[Download DataSheet](#)

[Download UserGuide](#)

www.citraweb.com

www.citraweb.com

** Harga, spesifikasi, dan ketersediaan bisa berubah dan tidak mengikat*

URL : <https://www.citraweb.com/produk/897/>

Informasi lebih lanjut, pemesanan dan pembelian, hubungi: 0274-554444 atau email sales@citraweb.com